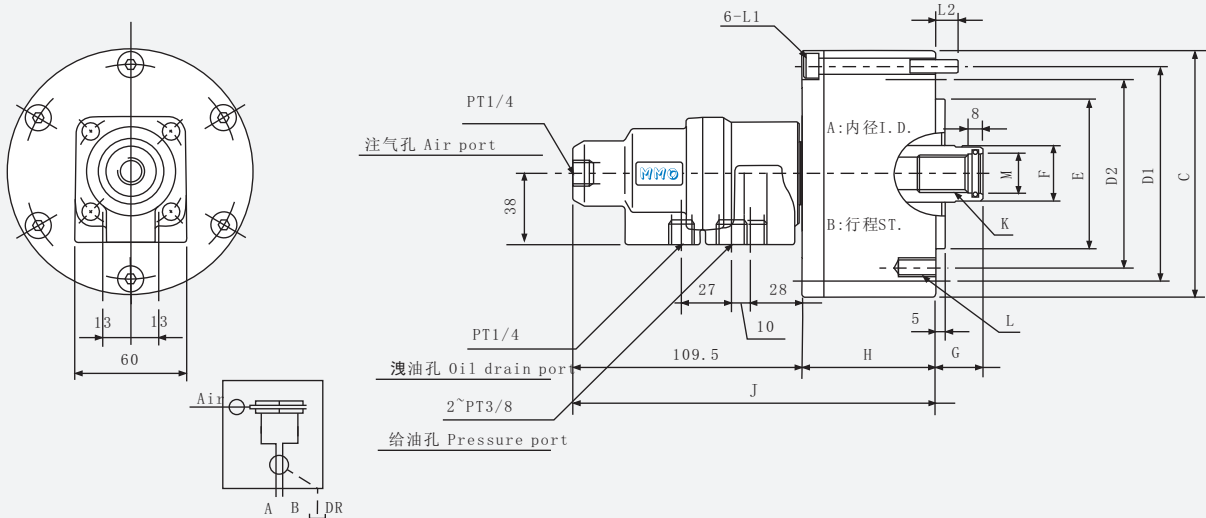
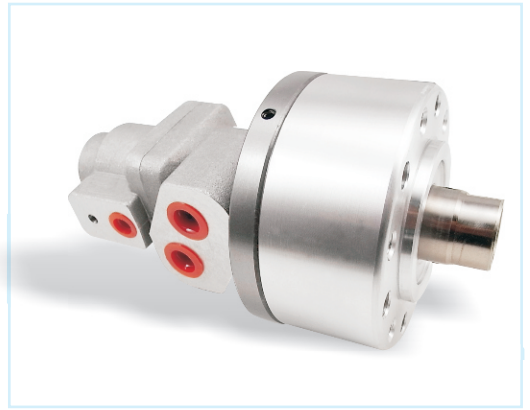


- ✿ 高速，注水型回转油压缸。可经由后端回转接头供给切削水。安装时可由后端锁固之。
- ✿ 使用时，请混入微量的油雾
- ✿ To allow coolant to be feed from the rear end of the distributor through the rotating union.
- ✿ Can screw it from the rear end of the cylinder when mounting. When used, a little oil mist should be contained.



规格 Spec	活塞面积 Eff.piston area cm ²		行程 mm	最高使用回轉數r.p.m.	最高使用壓力MPa	注水部最高使用壓力MPa	GD ² kg·m ²	重量 kg
	押側 Extend	拉側 Retract						
型號 Model			Piston stroke	Max.speed	Max.pressure(kgf/cm ²)	Coolant connection max. pressure(kgf/cm ²)	Moment of inertia	Weight
RL-A75N	42.6	37.1	15	6000	4.0 (40)	0.8 (8)	0.01	3.0
RL-A100N	77.0	71.5	20	6000	4.0 (40)	0.8 (8)	0.04	4.5
RL-A125N	121.2	113.1	25	6000	4.0 (40)	0.8 (8)	0.06	7.0
RL-A150N	175.2	160.8	30	5500	4.0 (40)	0.8 (8)	0.10	9.6
RL-A200N	312.5	290.4	35	5500	4.0 (40)	0.8 (8)	0.29	15.5

寸法 Size	A	B	C	D1	D2	E h7	F	G		H	J	K	L	L1	L2	M H8
								max.	min.							
型號 Model																
RL-A75N	75	15	107	90	90	65	30	45	30	57	166	M20X35	6~M8X16	M8X60	12	21
RL-A100N	100	20	132	115	100	80	30	45	25	72	181	M20X35	6~M10X2	M8X75	12	21
RL-A125N	125	25	160	140	130	110	35	50	25	82	191	M24X45	6~M12X20	M8X85	12	25
RL-A150N	150	30	190	170	130	110	45	55	25	95	204	M30X45	12~M12X24	M10X100	16	32
RL-A200N	200	35	245	220	145	120	55	70	35	115	225	M36X60	12~M16X30	M10X125	21	38