

# PIL 内销柄轴卡盘

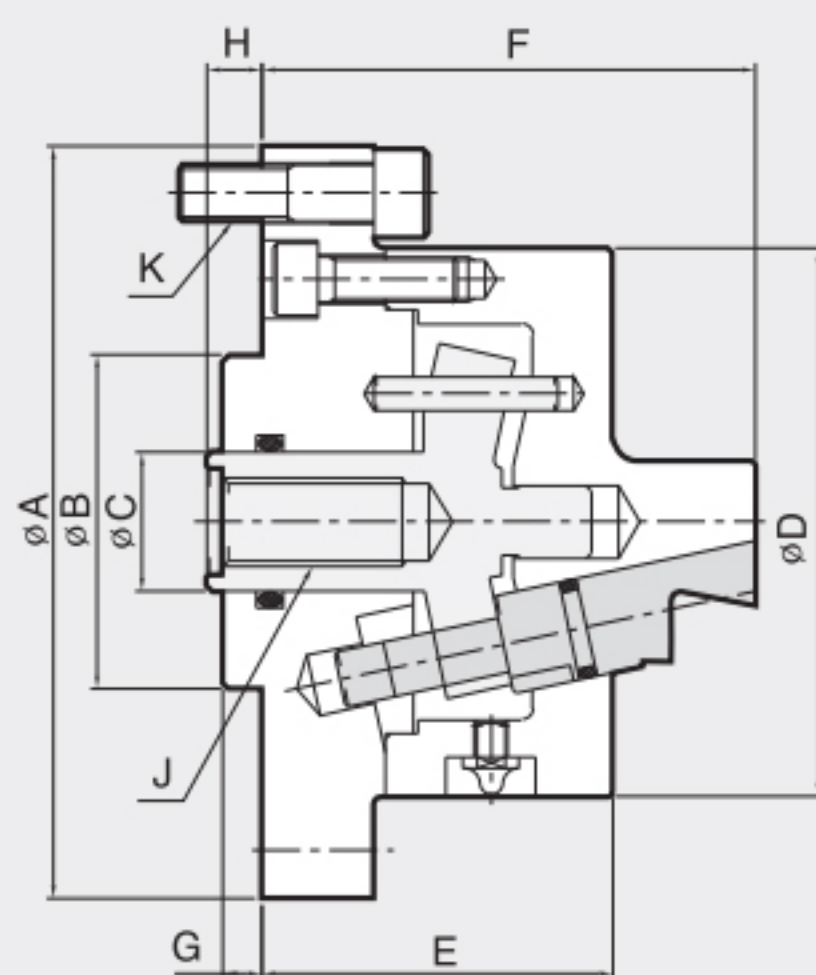
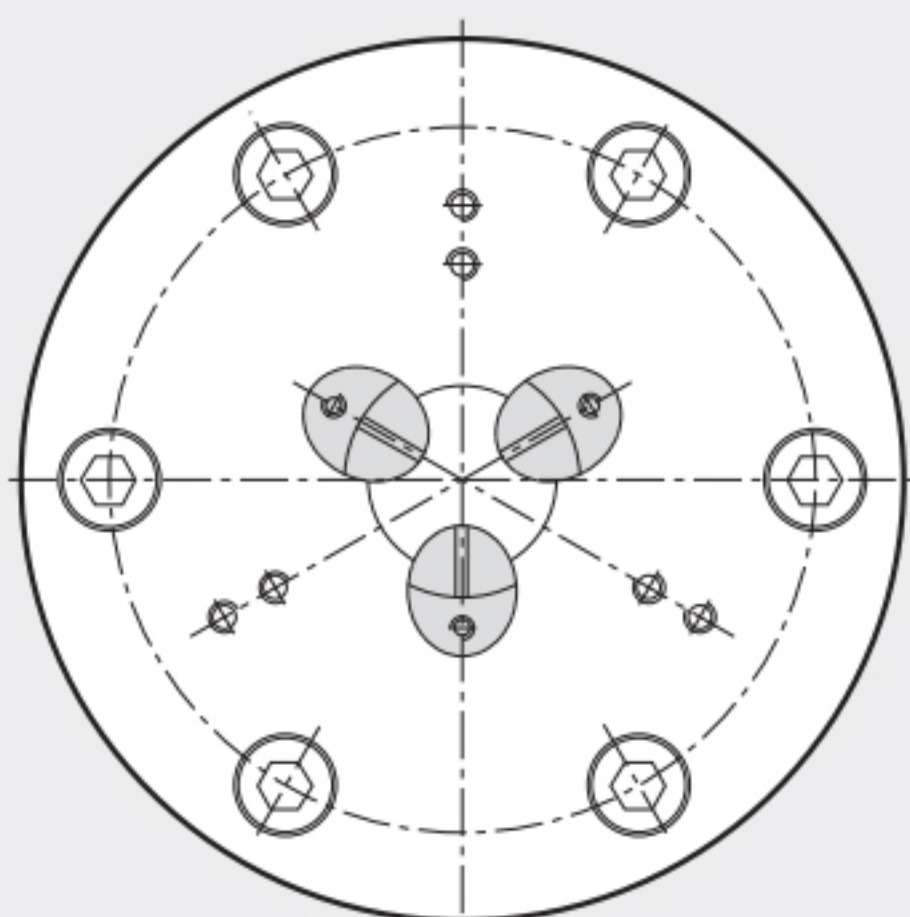
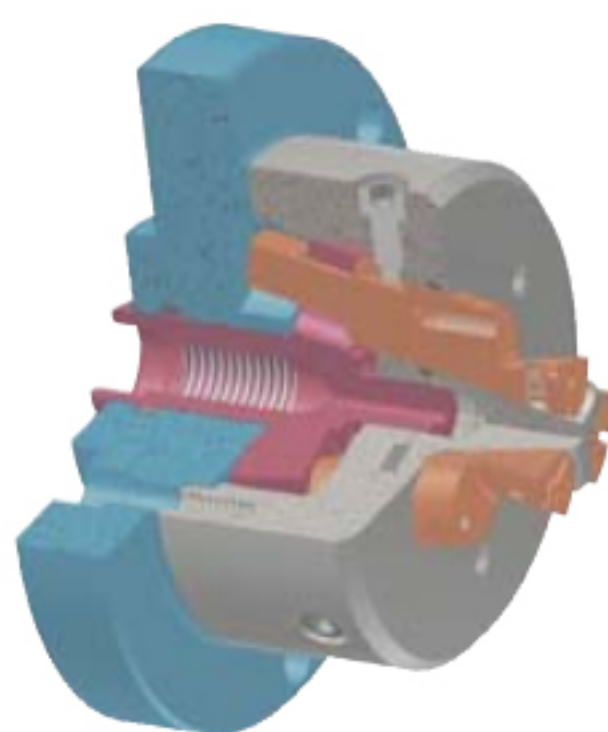
## Inside Pin Arbor Chuck



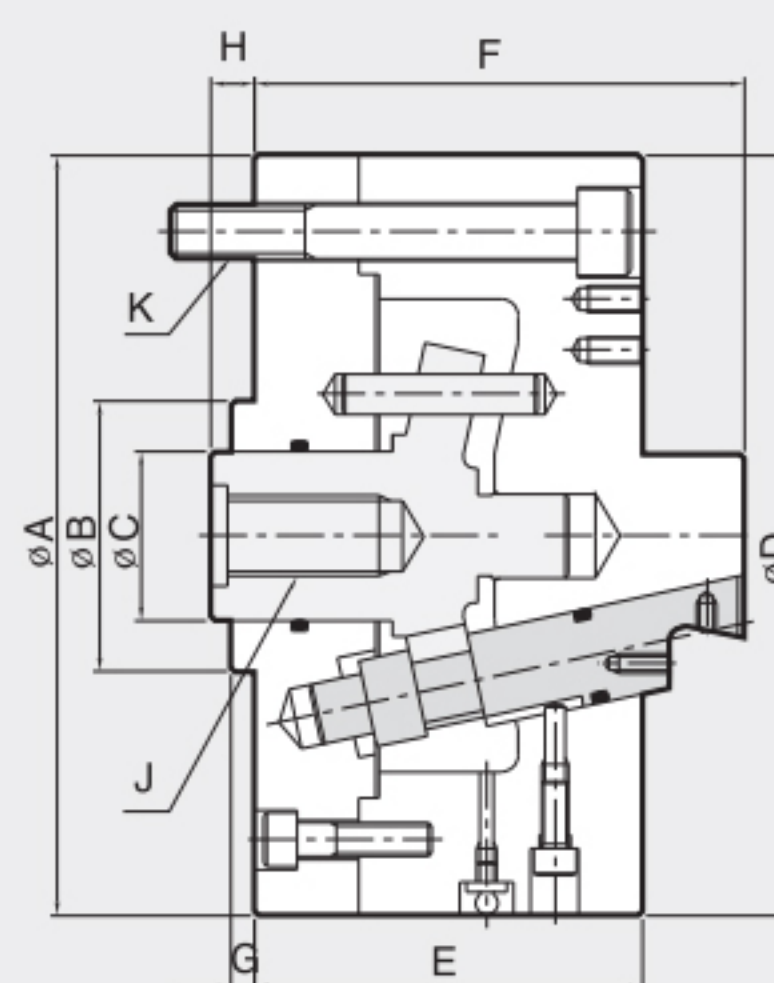
**SPECIAL CHUCK**

- Ideal for second operation I.D. gripping
- Active pull-down for high precision
- Counter-centrifugal gripping reduces distortion

- 适合精加工时内径的夹持
- 夹紧的过程中可将零件在贴紧定位面·夹持刚性·定心精度高
- 精度稳定性好·高转速时·卡爪仍可保持高的夹紧力



PIL-25,35



PIL-55,75,100

### Dimensions

|         | ΦA  | ΦB(h7) | ΦC | ΦD  | E   | F    | G | Hmax. | Hmin. | J   | K            |
|---------|-----|--------|----|-----|-----|------|---|-------|-------|-----|--------------|
| PIL-25  | 135 | 60     | 20 | 85  | 60  | 80   | 7 | 12    | 8     | M12 | 3-M10 PCD118 |
| PIL-35  | 135 | 60     | 25 | 100 | 63  | 88.5 | 7 | 12    | 8     | M16 | 3-M10 PCD118 |
| PIL-55  | 190 | 80     | 32 | 190 | 93  | 120  | 7 | 18    | 8     | M16 | 3-M16 PCD150 |
| PIL-75  | 225 | 80     | 50 | 225 | 115 | 145  | 7 | 18    | 8     | M24 | 6-M16 PCD180 |
| PIL-100 | 270 | 120    | 50 | 270 | 130 | 170  | 7 | 23    | 13    | M24 | 6-M16 PCD180 |

### Specifications

| Type    | Max. Clamping Force | Max. Drawbar Pull | Jaw Stroke Dia.  | Plunger Stroke | Clamping Range                    |         | Max. Speed       | Weight     | GD <sup>2</sup>                 |
|---------|---------------------|-------------------|------------------|----------------|-----------------------------------|---------|------------------|------------|---------------------------------|
|         | 夹紧力<br>[kgf]        | 拉杆最大拉力<br>[kgf]   | 卡爪行程(直径)<br>[mm] | 拉柱行程<br>[mm]   | 夹持范围 [mm]<br>Pin Jaw      Top Jaw |         | 最高转速<br>[r.p.m.] | 重量<br>[kg] | 容许工作惯性<br>[kgf·m <sup>2</sup> ] |
| PIL-25  | 2250                | 1200              | 1.7              | 4              | 17~25                             | -       | 5000             | 3.5        | 0.013                           |
| PIL-35  | 3380                | 1800              | 1.7              | 4              | 25~40                             | 48~60   | 4500             | 4.3        | 0.026                           |
| PIL-55  | 5640                | 3000              | 4.2              | 10             | 35~55                             | 62~90   | 3500             | 18.4       | 0.33                            |
| PIL-75  | 7150                | 3800              | 4.2              | 10             | 55~76                             | 85~130  | 2500             | 35         | 0.88                            |
| PIL-100 | 7150                | 3800              | 4.2              | 10             | 80~110                            | 120~180 | 2000             | 55         | 2.0                             |