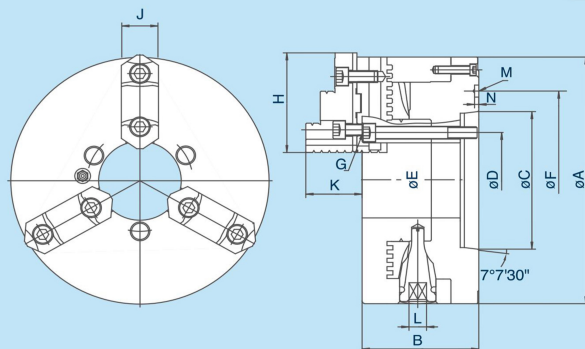


SK-A1 3-JAW A1 POWERFUL TYPE SCROLL CHUCKS

直裝三爪強力A1型卡盤

尺寸圖 » Dimensions



規格表 » Specifications

單位/UNIT:mm

型式/規格 MODEL /SPEC.	A	B	C	D	E	F	G	H	J
SK200A15	203	86	82.563	61.9	40	104.8	3-M10	82	28
SK250A16	254	103	106.375	82.6	56	133.4	3-M12	102	35
SK315A18	315	110	139.719	111.1	78	171.4	6-M16	118	40
SK400A18	405	125	139.719	111.1	78	171.4	6-M16	150	50
型式/規格 MODEL /SPEC.	K	L	M	N	最高迴轉速 Max.Speed r.p.m.(min ⁻¹)	把握範圍 外徑把握 O.D.Clamping	Max. Gripping Diameter 內徑把握 I.D.Clamping	淨重 Weight (kg)	
SK200A15	43	11	16.3	6.5	2000	ø4-ø200	ø65-ø200	19.1	
SK250A16	55	12	19.5	6.5	1800	ø6-ø250	ø80-ø250	32.3	
SK315A18	56	14	24.2	8	1800	ø10-ø315	ø95-ø315	53.7	
SK400A18	75	15	24.2	8	1500	ø15-ø400	ø120-ø400	68.7	